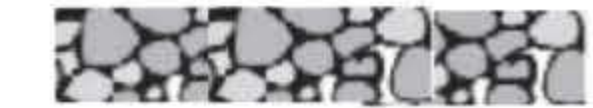
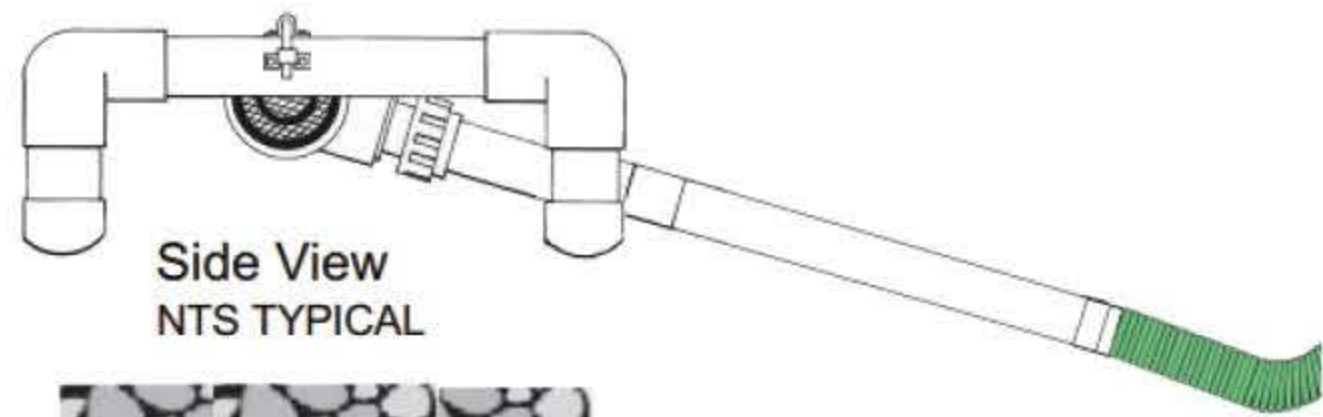


2.5 inch ESC Skimmer / Sediment Pond Surface Drain

NTS TYPICAL DRAWING

1. Solid barrel pipe included.
2. Union separates for installation of provided orifice.
3. Flex hose provided with customer specified outlet structure connection.
4. Skimmer / Surface drain. cubic feet per day.
5. Orifice included, as specified by customer.
6. Drain and vents fully enclosed by frame.
7. Shipped assembled. Customer attaches to structure.

Draw down Chart	
24 hour draw down	6543 cf
48 hour draw down	13086 cf
72 hour draw down	19629 cf

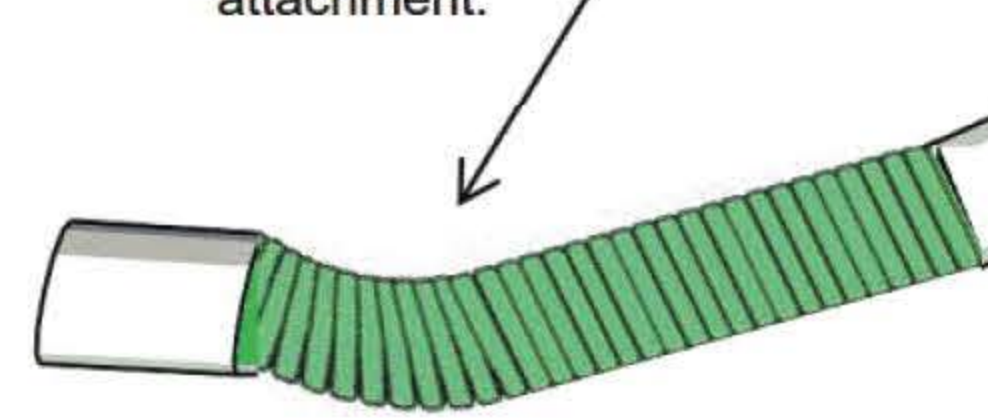


All ESC Skimmers are designed to sit on a 3X3 rip rap pad.

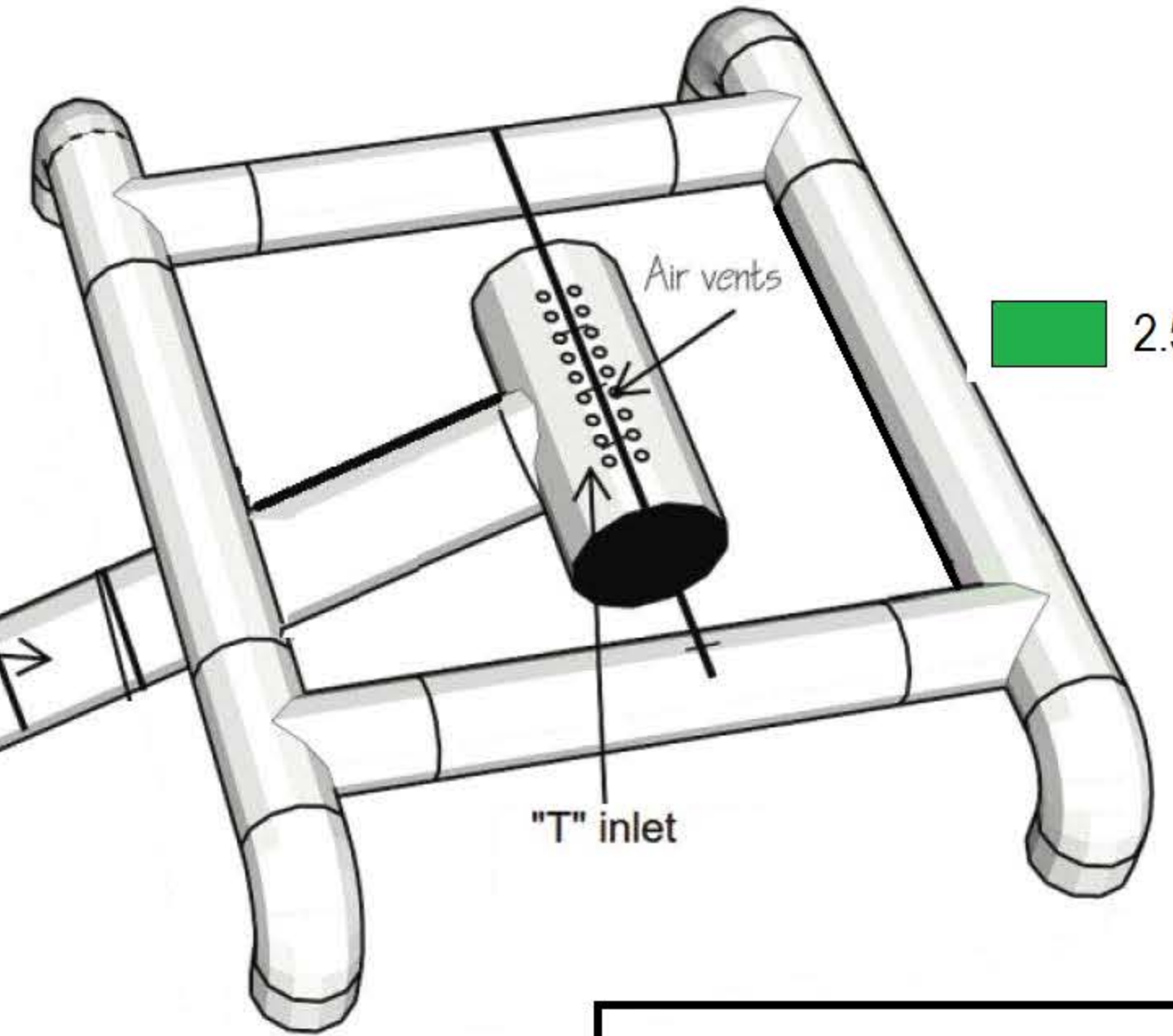


Barrel pipe attachment

Flex hose with threaded nipples and customer specified outlet attachment.



inch solid pvc barrel pipe included.



2.5 inch

Color Code Sticker			
8 inch	3 inch	6 inch	2.5 inch
5 inch	2 inch	4 inch	1.5 inch