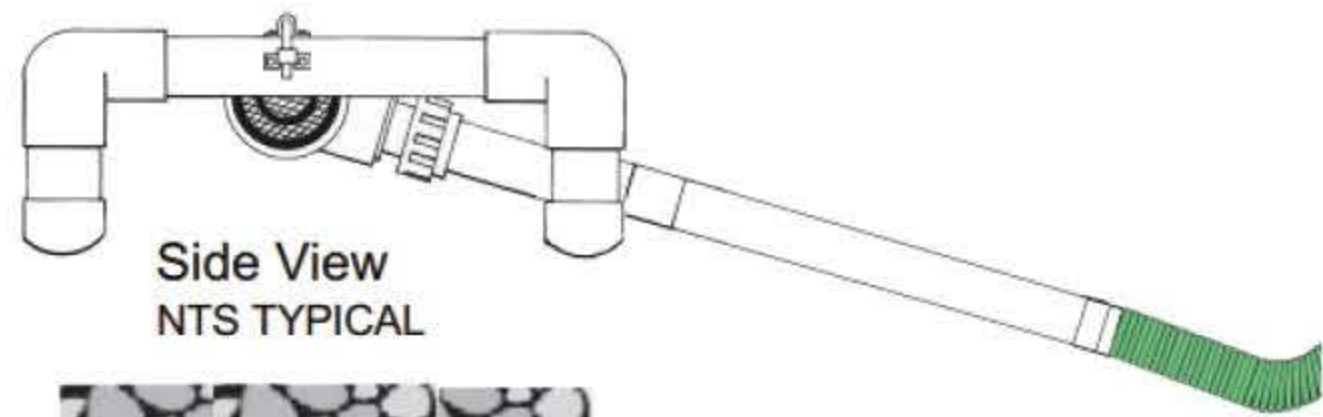


# 4 inch ESC Skimmer / Sediment Pond Surface Drain

NTS TYPICAL DRAWING

1. Solid barrel pipe included.
2. Union separates for installation of provided orifice.
3. Flex hose provided with customer specified outlet structure connection.
4. Skimmer / Surface drain.                      cubic feet per day.
5. Orifice included, as specified by customer.
6. Drain and vents fully enclosed by frame.
7. Shipped assembled. Customer attaches to structure.

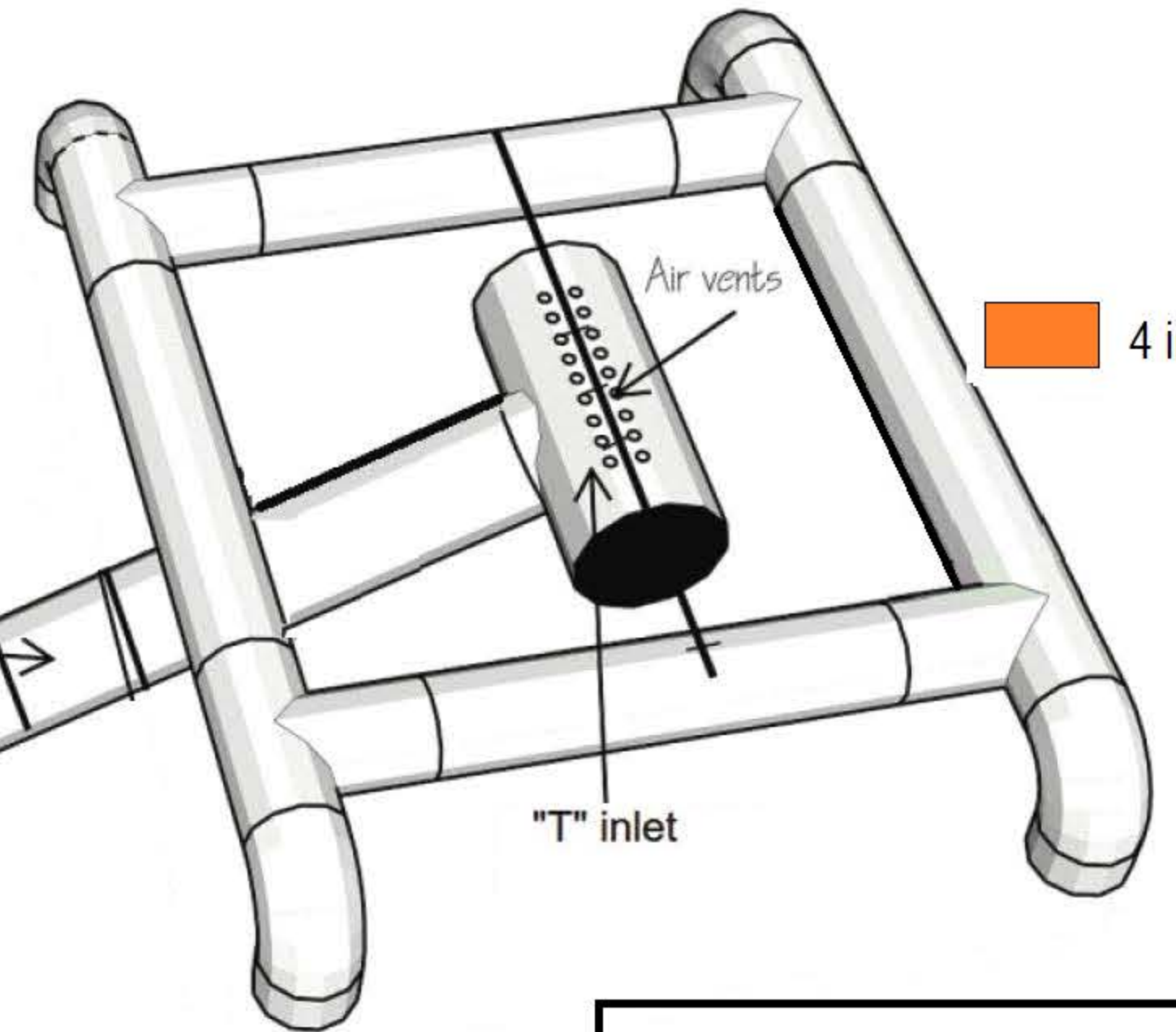
Draw down Chart	
24 hour draw down	16758 cf
48 hour draw down	35516 cf
72 hour draw down	50274 cf



All ESC Skimmers are designed to sit on a 3X3 rip rap pad.



Barrel pipe attachment



Flex hose with threaded nipples and customer specified outlet attachment.

inch solid pvc barrel pipe included.

Color Code Sticker			
	8 inch		3 inch
	6 inch		2.5 inch
	5 inch		2 inch
	4 inch		1.5 inch