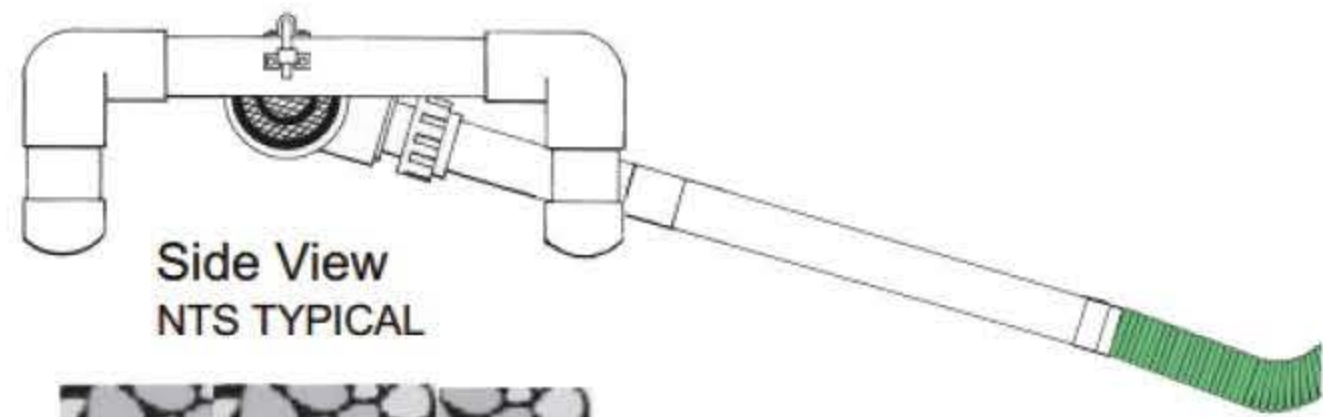


# 6 inch ESC Skimmer / Sediment Pond Surface Drain

NTS TYPICAL DRAWING

Draw down Chart	
24 hour draw down	42763 cf
48 hour draw down	85526 cf
72 hour draw down	128289 cf

1. Solid barrel pipe included.
2. Union separates for installation of provided orifice.
3. Flex hose provided with customer specified outlet structure connection.
4. Skimmer / Surface drain.                      cubic feet per day.
5. Orifice included, as specified by customer.
6. Drain and vents fully enclosed by frame.
7. Shipped assembled. Customer attaches to structure.

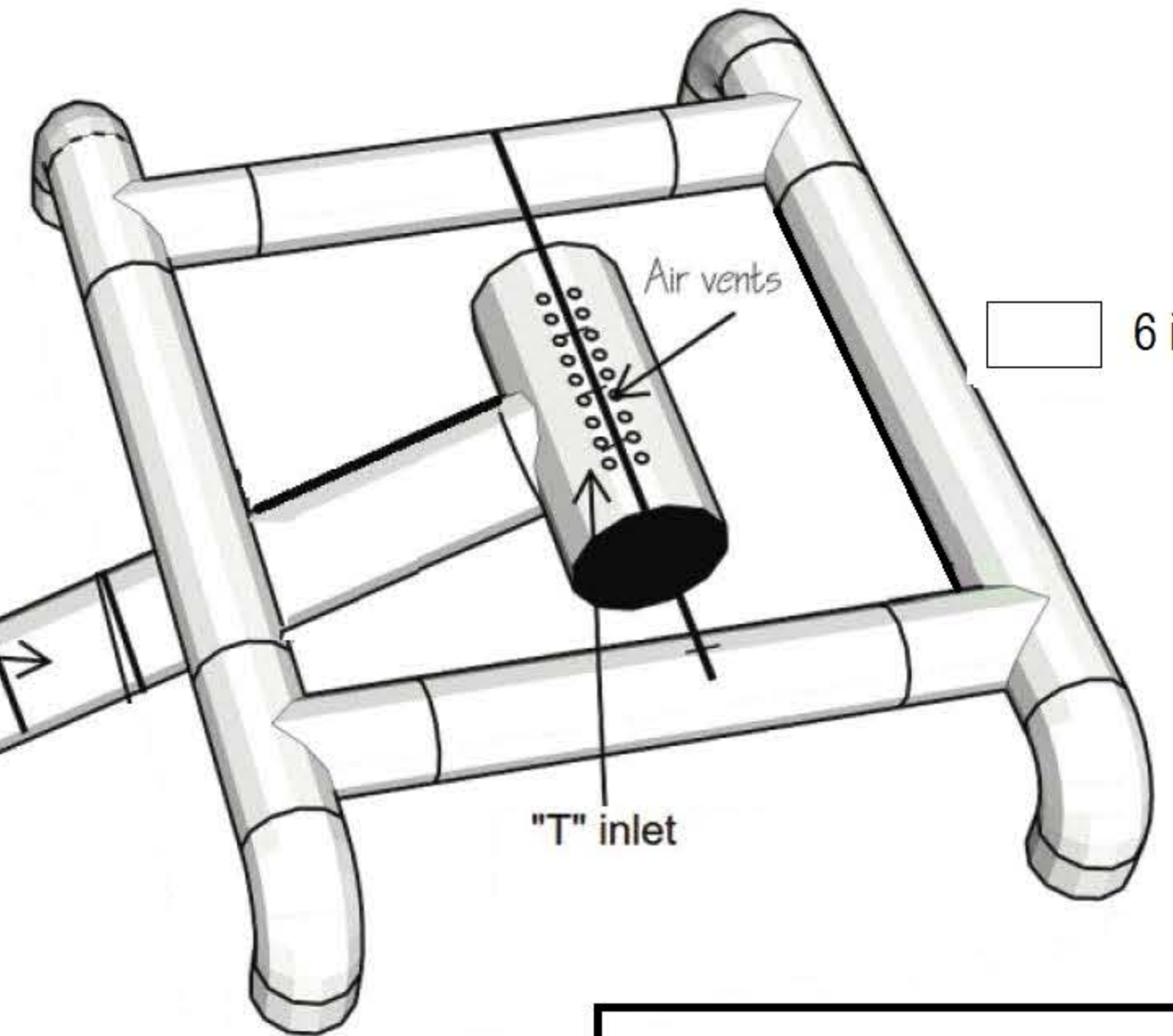


All ESC Skimmers are designed to sit on a 3X3 rip rap pad.



Barrel pipe attachment

inch solid pvc barrel pipe included.



6 inch

Flex hose with threaded nipples and customer specified outlet attachment.

Color Code Sticker			
Black	8 inch	Blue	3 inch
White	6 inch	Green	2.5 inch
Grey	5 inch	Yellow	2 inch
Orange	4 inch	Red	1.5 inch