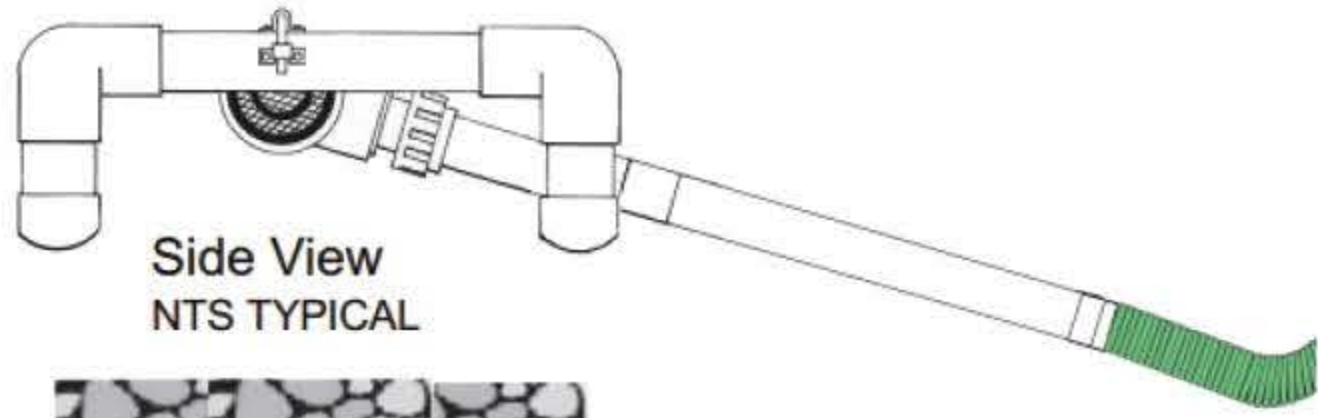



# 8 inch ESC Skimmer / Sediment Pond Surface Drain

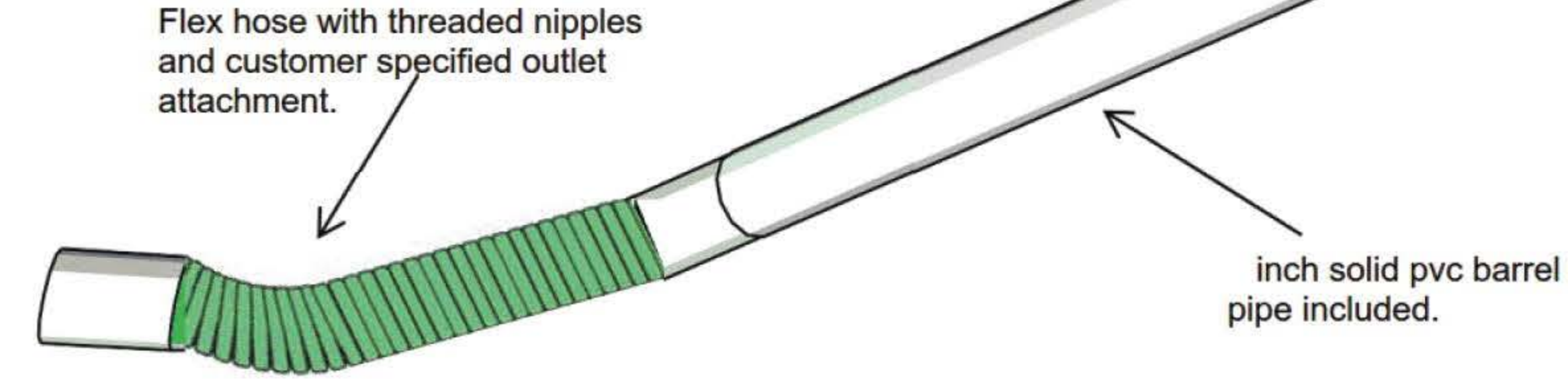
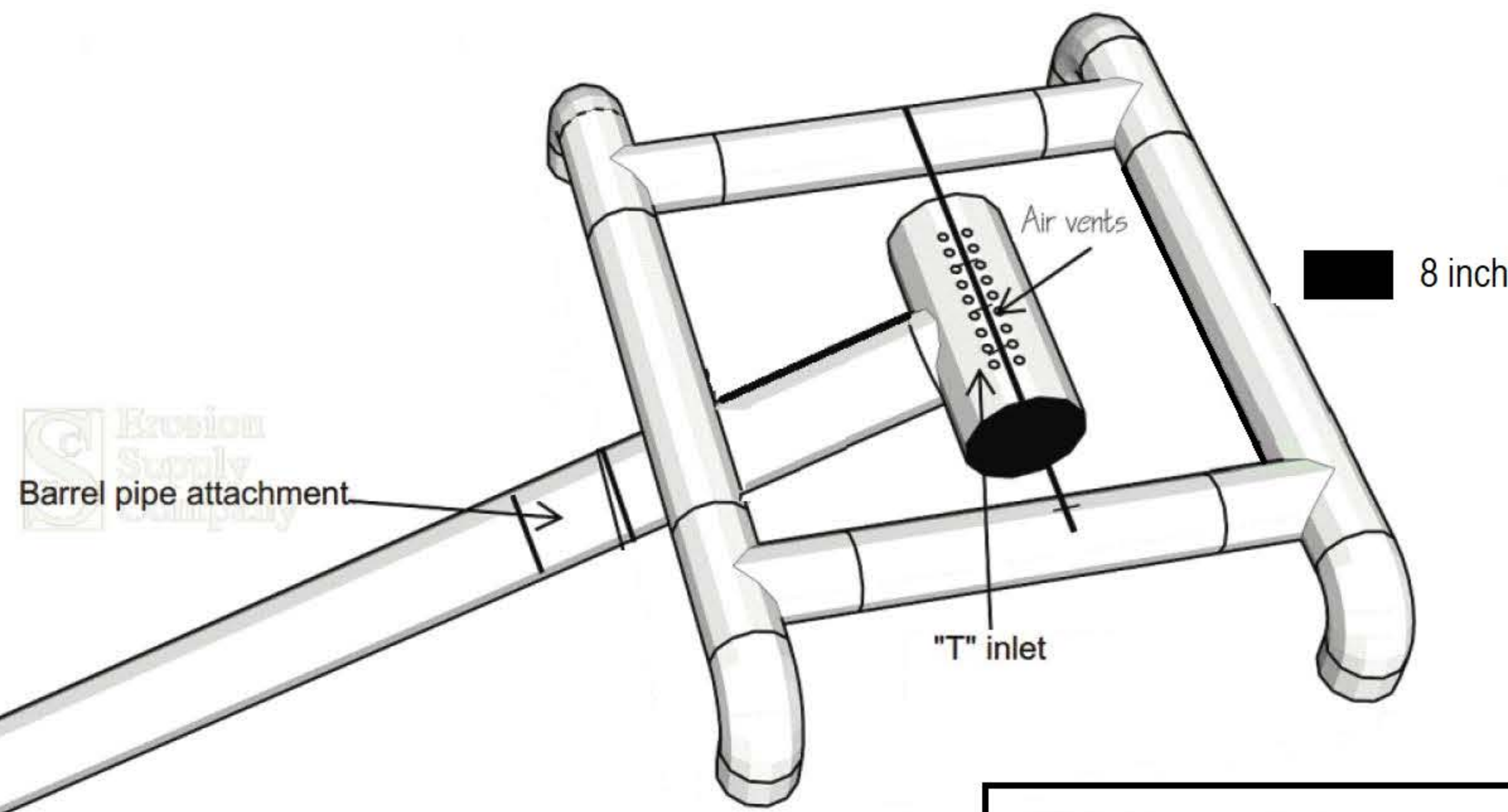
NTS TYPICAL DRAWING









Draw down Chart	
24 hour draw down	104025 cf
48 hour draw down	204050 cf
72 hour draw down	312075 cf

1. Solid barrel pipe included.
2. Union separates for installation of provided orifice.
3. Flex hose provided with customer specified outlet structure connection.
4. Skimmer / Surface drain.                      cubic feet per day.
5. Orifice included, as specified by customer.
6. Drain and vents fully enclosed by frame.
7. Shipped assembled. Customer attaches to structure.



  
All ESC Skimmers are designed to sit on a 3X3 rip rap pad.



Color Code Sticker			
	8 inch		3 inch
	6 inch		2.5 inch
	5 inch		2 inch
	4 inch		1.5 inch